



Quality Products & Sales Inc

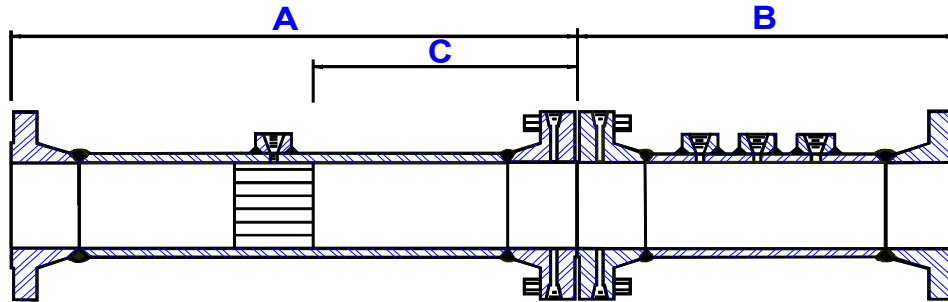
Orifice Metering Division

PO Box 7

Broken Arrow Ok 74013

Local #(918) 251-0115 * Watts #(800) 444-4634 * Fax #(918) 455-1982

A.G.A. Orifice Flange Meter Tube



PIPE SIZE	UPSTREAM LENGTH WITH STRAIGHTENING VANE	UPSTREAM LENGTH WITHOUT STRAIGHTENING VANE	UPSTREAM LENGTH WITH FLOW CONDITIONER OR PROFILER	DOWNSTREAM LENGTH	STRAIGHTENING VANE LOCATION	CONDITIONER OR PROFILER LOCATION	STANDARD DOWNSTREAM BRANCH CONNECTIONS
	A	A*	A+	B	C	C+	3000# THRD
2	60.0"	90.0"	30.0"	36.0"	26-7/8"	16-3/4"	(2) 3/4" (1) 1/2"
3	90.0"	138.0"	42.0"	48.0"	39-7/8"	24-3/4"	(2) 3/4" (1) 1/2"
4	120.0"	180.0"	54.0"	48.0"	52-3/8"	32-1/4"	(2) 3/4" (1) 1/2"
6	180.0"	270.0"	84.0"	60.0"	78-7/8"	48-3/4"	(2) 3/4" (1) 1/2"
8	234.0"	354.0"	108.0"	60.0"	103-3/4"	63-7/8"	(2) 3/4" (1) 1/2"
10	294.0"	444.0"	132.0"	72.0"	130-1/4"	80-1/4"	(2) 3/4" (1) 1/2"
12	348.0"	528.0"	156.0"	78.0"	156.0"	95-1/2"	(2) 3/4" (1) 1/2"

Above length are based on schedule 40 pipe

MATERIALS: Carbon Steel, Stainless Steel, Chromoly

Other materials, sizes and styles available

OPTIONAL PRESSURE CONNECTIONS

1/2" 3000# OR 6000# FNPT OR SOCKET-WELD

3/4" 3000# OR 6000# FNPT OR SOCKET-WELD

1" 3000# OR 6000# FNPT OR SOCKET-WELD

DESIGNED PER: A.G.A Report #3 (Fourth Edition)

A.P.I. 14.3

ASME Specifications

INSPECTION PER: ASME B31.1

ASME B31.3

A.P.I 1104

Orifice Plates Sold Separate

OPTIONAL END CONNECTIONS:

Beveled Ends

Flanged

Threaded

Concentric & Eccentric Reducer

Elbow

TESTING AVAILABLE

Radiograph

Liquid Dye Penetrant

Hydro-test

Magnetic Partical

Ultra-sound

Positive Material Inspection

Eccentricity Test

Surface Finish Test